

# UM Series

## Medical Wall Mount AC/DC Adaptor **8W** Series



▲ **UM308**



▲ **UMY308**



▲ **UME308**



▲ **UMR308**



▲ **UMA308**



▲ **UMK308**



(Only 12.0V/0.5A)

■ Please contact our sales department for safety standard of each model.



### Product Highlights

- Stability
- Compact size
- Energy efficiency
- Suit medical equipment, health device

### Protection

- Short circuit protection
- Over Voltage Protection
- Over Current Protection

### Safety Approvals

- IEC/EN60601-1
- PSE
- K60950

### Efficiency

- Meet :  
Commission Regulation (EC)  
No 278/2009 ( ERP 5 ) & CEC 5

### Emissions

- VCCI Class B
- CE CISPR 11
- KN32 KN35

### Immunity

- EN55011

# Electrical Spec

## Absolute Maximum Rating

| Input       |     |         |     |       |         |
|-------------|-----|---------|-----|-------|---------|
| Description | Min | Typ     | Max | Units | Comment |
| Voltage     | 90  | 100~240 | 264 | Vac   |         |
| Frequency   | 47  | 50/60   | 63  | Hz    |         |

| Environmental         |     |     |     |       |                           |
|-----------------------|-----|-----|-----|-------|---------------------------|
| Description           | Min | Typ | Max | Units | Comment                   |
| Operating Temperature | 0   | -   | 40  | °C    | Free Convection,Sea level |
| Storage Temperature   | -20 | -   | 65  | °C    | Free Convection,Sea level |
| Operating Humidity    | 5   | -   | 95  | %RH   | No Condensing             |
| Storage Humidity      | 5   | -   | 95  | %RH   | No Condensing             |

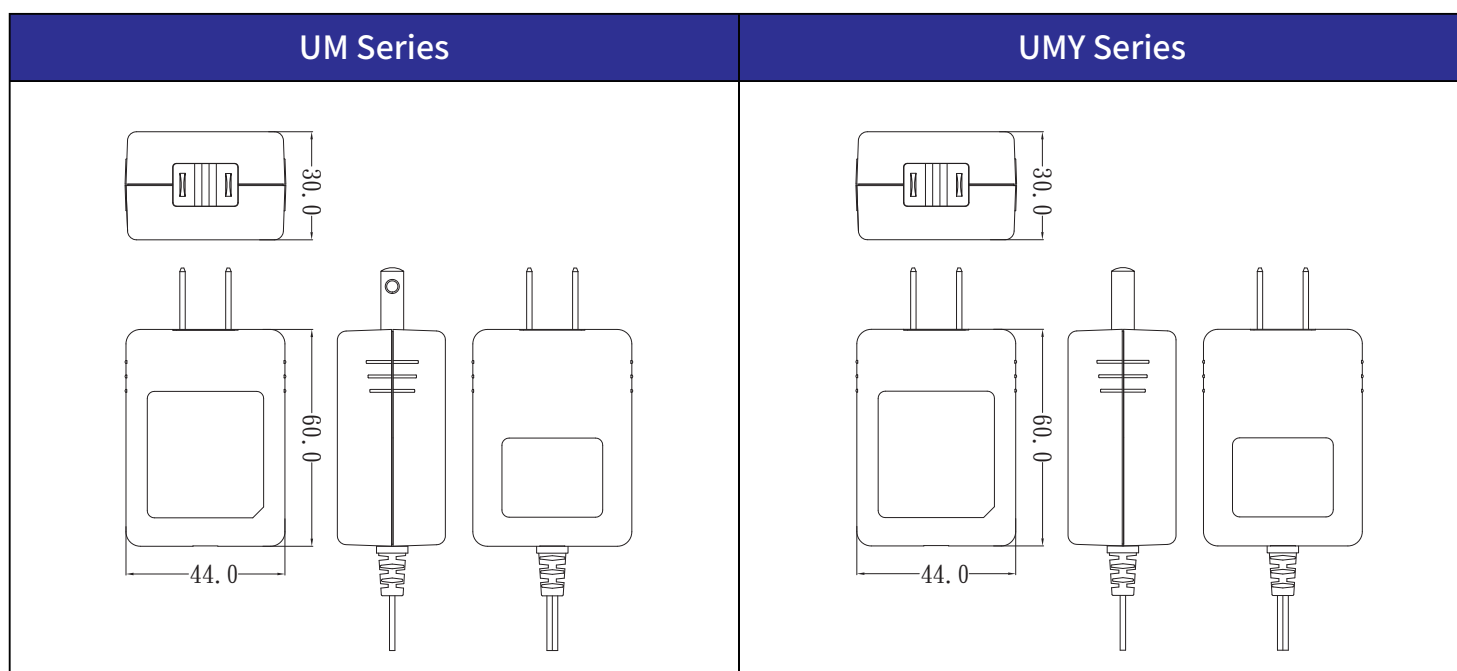
# Typical model list

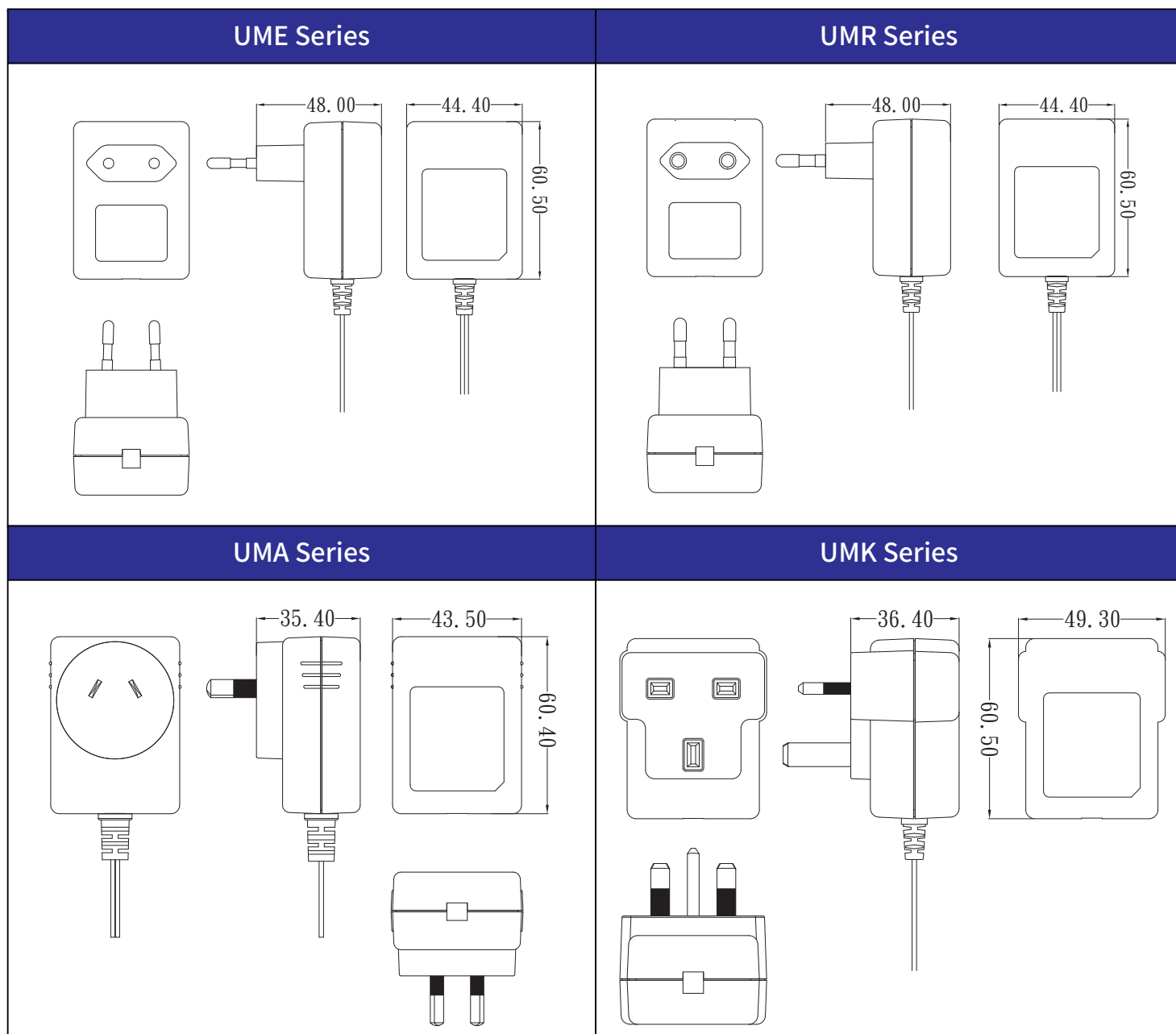
| Input Condition                                 |   | DC Output Voltage | DC Output Current | Output Voltage Precision | Ripple | Noises | Regulation |      | Option/Remark |
|---|---|-------------------|-------------------|--------------------------|--------|--------|------------|------|---------------|
|   |   |                   |                   |                          |        |        | Line       | Load |               |
| Input Voltage: 90V-264Vac<br>Frequency: 47-63Hz | 1 | 12.0V             | 0.5A              | ±5%                      | 300mV  | 300mV  | 2%         | 10%  |               |
|   | 2 | 12.0V             | 0.6A              | ±5%                      | 300mV  | 300mV  | 2%         | 10%  |               |
|   | 3 | 12.0V             | 0.7A              | ±5%                      | 300mV  | 300mV  | 2%         | 10%  |               |
|   | 4 | -                 | -                 | -                        | -      | -      | -          | -    |               |
|   | 5 | -                 | -                 | -                        | -      | -      | -          | -    |               |

■ Measurement condition

1. Measurements shall be made with an oscilloscope with 20MHz bandwidth.
2. Outputs shall be bypassed at the connector with a 0.1uF ceramic disk capacitor and a 10uF electrolytic capacitor to simulate system loading.

# Mechanical Spec





— the following blank —

■ Please contact our sales department for details of each model ■